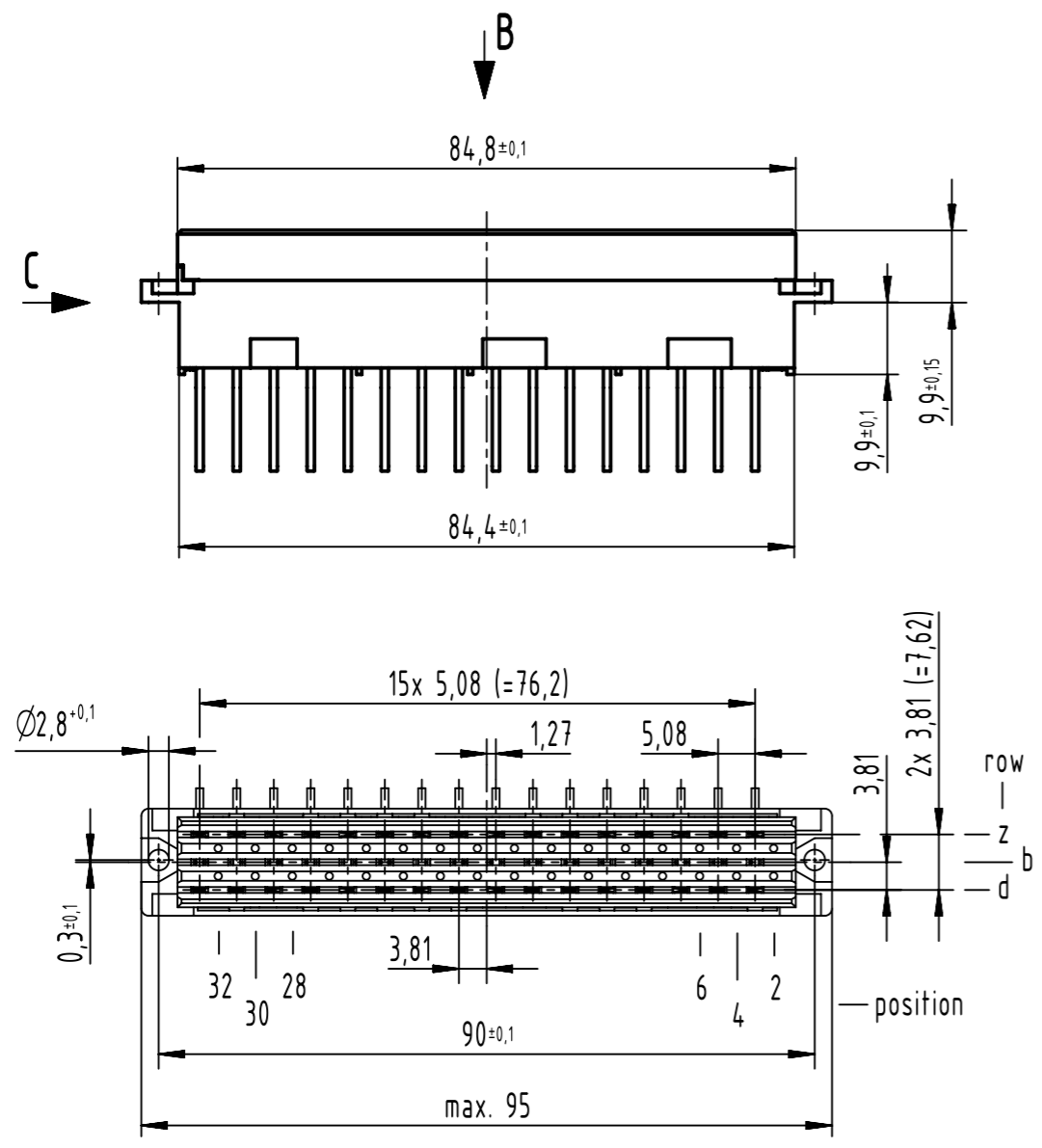
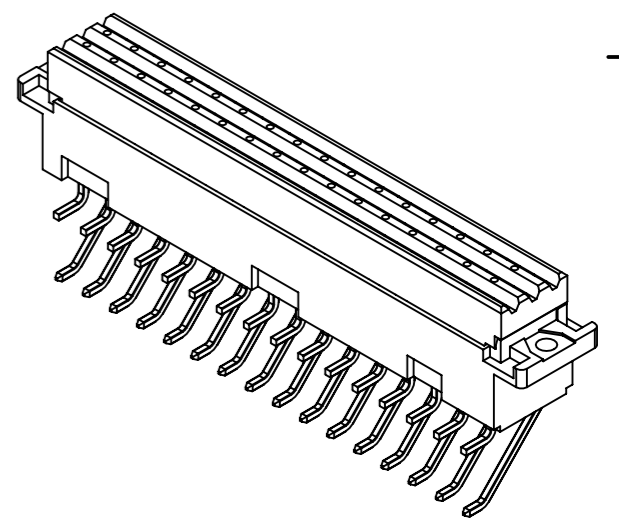
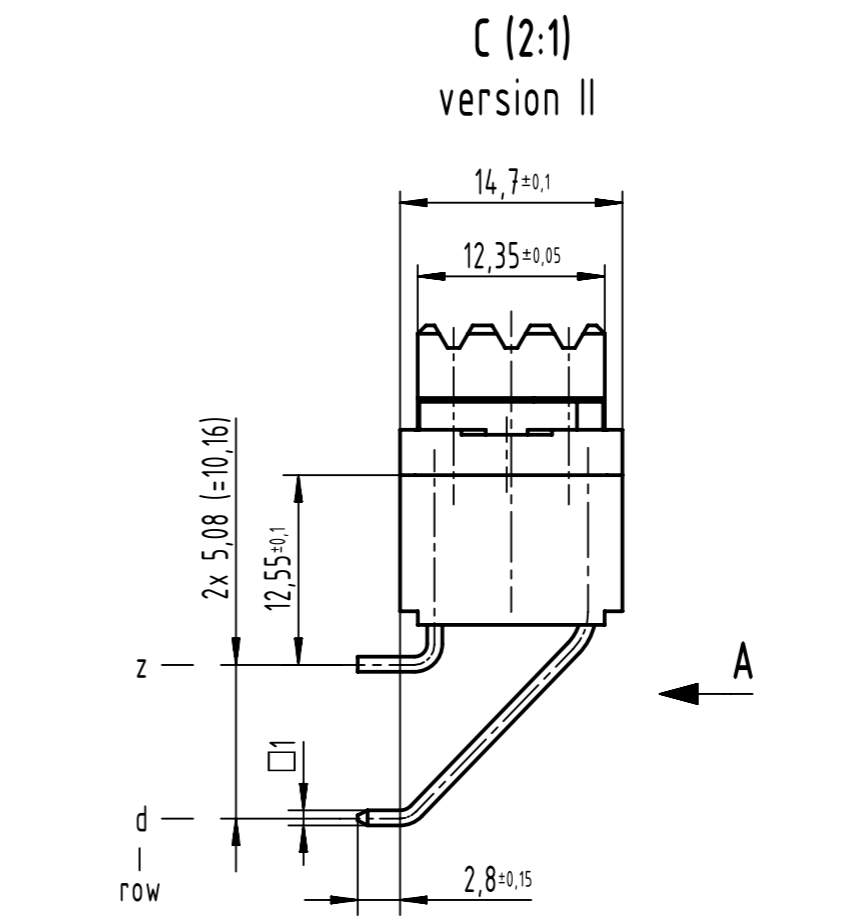


32 solder contacts

■ = position with contact

□ = position without contact



further information see product data sheet

| | |
|----------------|-------------------|
| 09 06 232 6836 | 2 |
| part no. | performance level |

| | | | | |
|-----------------------------------------------------------------------------|----------------------------------------------|-------------------------|---------------------------------------------|----------------------------------------------------------|
| All rights reserved Department EL PD HARTING D-32339 Espelkamp | All Dimensions in mm Original Size DIN A3 | Scale 1:1 | Free size tol. complementary IEC 60603-2 | Ref. Sub. |
| | Created by STORCK | Inspected by LEHNERT | Standardisation 302077 | Date 2021-05-04 |
| Title DIN Power type F female solder angled 32-pole | | | | Doc-Key / ECM-Nr. 100212335/UGD/005/C 500000192971 |
| Type TB | | Number 0906232X836 | | Rev. C Page 1/1 |